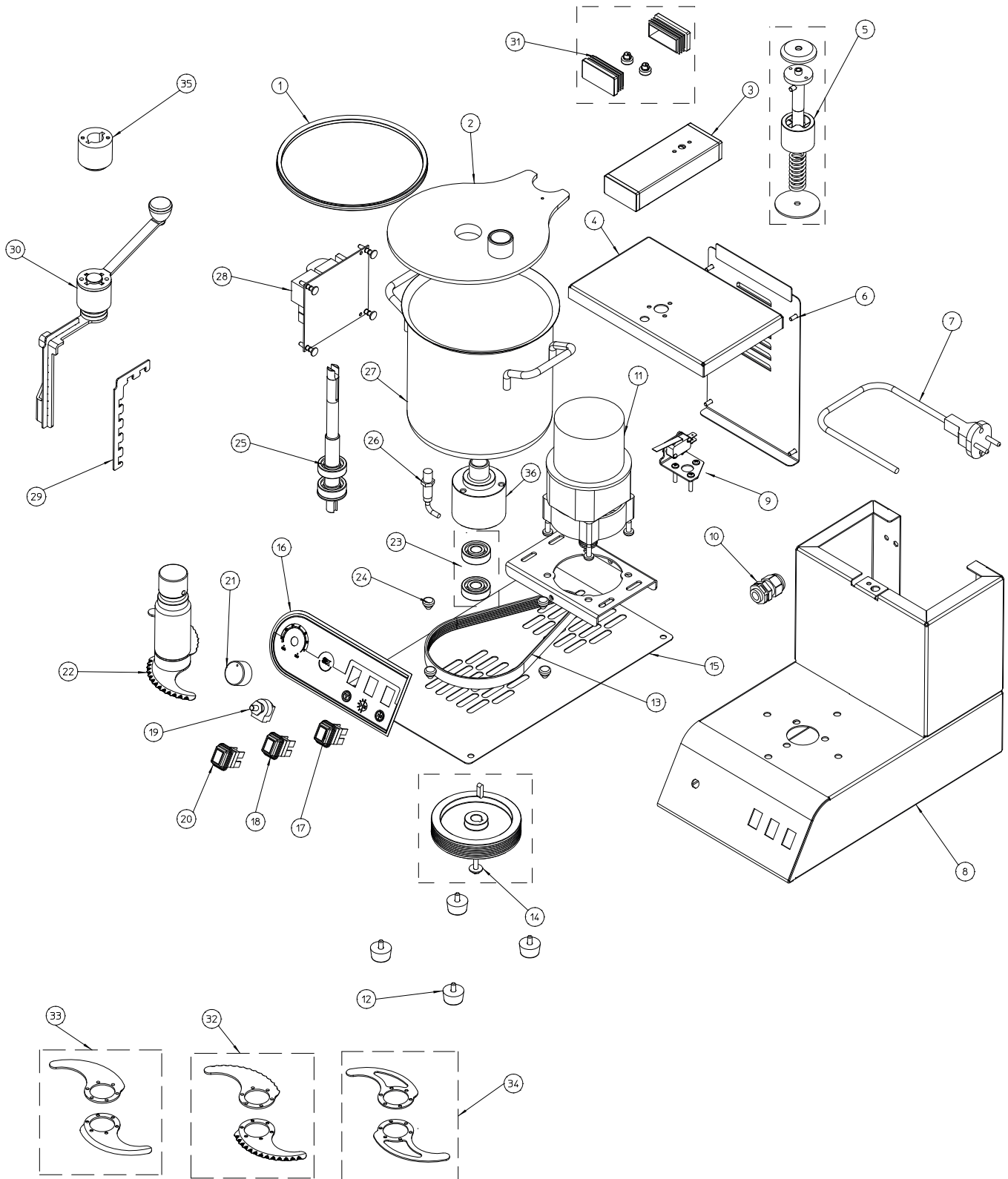


**CUTTER / EMULSIONADORA
SK-3 / SKE-3**
**FOOD PROCESSORS/
EMULSIFYERS SK-3 / SKE-3**
**CUTTERS / EMULSIONNEURS
SK-3 / SKE-3**

N.	Denominación	Description	Dénomination	Cod.
1a	Junta tapa	Lid gasket	Joint couvercle	2149144
1b	Junta tapa >2009	Lid gasket >2009	Joint couvercle >2009	2052091
2a	C. tapa caldero	Bowl lid set	Ens. couvercle cuve	2052635
2b	C. tapa caldero SKE-3 >2009	Bowl lid set SKE-3 >2009	Ens. couvercle cuve SKE-3 >2009	2052603
2c	C. tapa caldero SK-3 >2009	Bowl lid set SK-3 >2009	Ens. couvercle cuve SKE-3 >2009	2052602
3	Brazo de cierre	Closed arm	Bras de fermeture	2052636
4	C. Tapa superior	Upper cover set	Ens. panneau superieur	2051902
5	C. giro de cierre	Turning close set	Ens. tour fermeture	2052637
6	C. tapa trasera	Back cover set	Ens. panneau arriere	2052744
7a	Cable manguera con clavija	Cord and plug	Cable et prise	4420035
7b	Cable manguera UL	UL Cord	Cable UL	2050579
8	C. carrocerfa	Body set	Ens. corps	2052711
9	C. micro	Microswitch set	Ens. microrrupteur	2052638
10	Prensaestopas (5a10)	Stuffing bos (5a10)	Presse-etoupes (5a10)	2052260
11a	C. motor	Motor set	Ens. moteur	2052746
11b	C. motor 120V	120 V motor set	Ens. moteur 120V	2052767
12	C. patas (4)	Feet set (4)	Ens. pieds (4)	2052747
13	Correa	Belt	Courroie	2052110
14	C. polea	Pulley set	Ens. poulie	2052748
15	Tapa inferior	Lower cover	Couvercle inferieur	2052718
16	Adhesivo	Adhesive	Adhesif	2052730
17	Interruptor luminoso	Light switch	Interrupteur lumineux	2052735
18	Pulsador marcha/paro	Start/stop switch	Interrupteur marche/arret	2052736
19	Potenci6metro	Potentiometer	Potentiometre	2052705
20	Pulsador rafagas	Burst push button	Poussoir pulse	2052737
21	Mando potenci6metro	Potentiometer control	Commande potentiometre	2502328
22a	C. cuchillas microdentadas SK-3	Serrated blade set SK-3	Ens. couteaux micro-dentes SK-3	2052617
22b	C. cuchillas microdentadas SKE-3	Serrated blade set SKE-3	Ens. couteaux micro-dentes SKE-3	2052630
22c	C. cuchillas lisas SK-3	Flat blade set SK-3	Ens. couteaux lises SK-3	2052666
22d	C. cuchillas lisas SKE-3	Flat blade set SKE-3	Ens. couteaux lises SKE-3	2052664
22e	C. cuchillas perforadas SK-3	Perforated blade set SK-3	Ens. couteaux perfores SK-3	2052668
22f	C. cuchillas perforadas SKE-3	Perforated blade set SKE-3	Ens. couteaux perfores SKE-3	2052659
23	C. rodamientos	Bearings set	Ens. roulements	2052750
24	C. tacos de goma	Rubber wad	Ens. taquets en caoutchouc	2052751
25	C. eje central	Central shaft set	Ens. axe central	2052749
26	etector magnetico	Magnetic detector	etecteur magnetique	2502294
27a	C. caldero SK-3	Bowl set SK-3	Ens. cuve SK-3	2052608
27b	C. caldero SK-3	Bowl set SKE-3	Ens. cuve SKE-3	2052877
28a	Variador de velocidad	Speed variator	Variateur vitesse	2052738
28b	Variador de velocidad 120V	120V Speed variator	Variateur vitesse 120V	2052777
29	Rascador de goma	Rubber scraper	Racleur en caoutchouc	2051940
30a	C. revolverdor	Scraper set	Ens. racleur	2051938
30b	C. revolverdor >2009	Scraper set >2009	Ens. racleur >2009	2052607
31	C. tacos + tap6n	Caps set	Ens. bouchons	2052799
32	C. cuchilla microdentada	Serrated blade set	Ens. couteaux micro-dentes	2052813
33	C. cuchilla lisa	Flat blade set	Ens. couteaux lisses	2052815
34	C. cuchilla perforada	Perforated blade set	Ens. couteaux perfores	2052816
35a	Eje maneta revolverdor SK/SKE-3	Scraper handle shaft SK/SKE-3	Axe manette racleur SK/SKE-3	2052071
35b	Eje maneta revolverdor SK/SKE-3 >2009	Scraper handle shaft SK/SKE-3 >2009	Axe manette racleur SK/SKE-3 >2009	2051946
36	Guía eje central 3l.	Central shaft guide 3lt	Guide axe central 3 l.	

SK-3 / SKE-3



Nota: Todas estas especificaciones están sujetas a cambio sin previo aviso, debido a la permanente mejora del producto.
 Note: These specifications are subject to change without prior notice due to continuous product improvement.
 Note: Toutes ces spécifications peuvent être modifiées sans préavis dû à une permanente amélioration du produit.